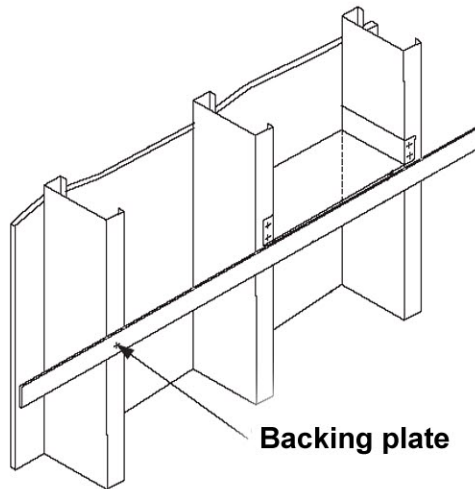


DATA SHEET

Backing Plate



Standard thickness (mils):	L.G., 33, 43, 54, 68
Standard width (in):	1-1/2" to 12"

Our backing plates conform to Canadian steel standards. They are available in standard 10 foot lengths. They are available in the lengths and thicknesses stated in the above table. You may also order dimensions, thickness and lengths that correspond to your project needs.

Standards:

Standards applicables to steel stud systems, trim and accessories:

Steel Profile, thicknes and dimensions -ASTM C645
 Steel Grade - ASTM A1003
 Coating (Galvanization) - ASTM A653