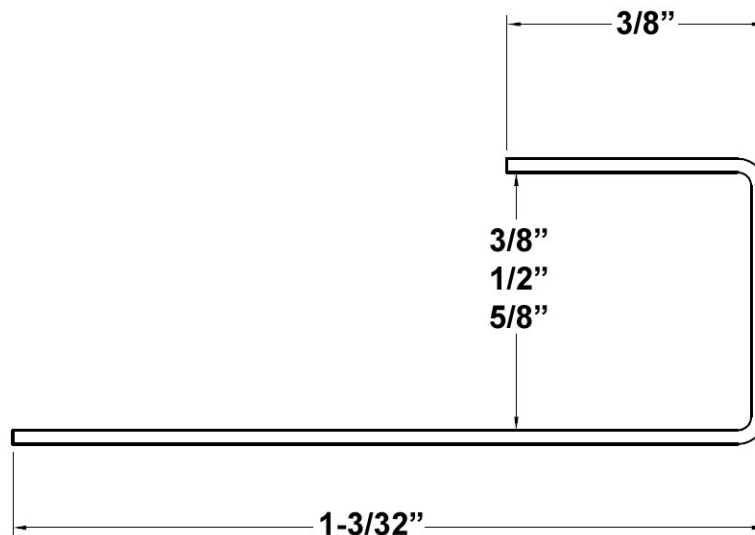


DATA SHEET

J Trim



Our metal J trims conform to Canadian steel standards. They are available in standard 10' lengths in 3/8, 1/2" and 5/8" thickness. J trims serve to protect sides of gypsum panels around doors and windows or when gypsum panels rest on other materials.

Standards:

Standards applicables to steel stud systems, trim and accessories:

Steel Profile, thickness and dimensions - ASTM C645
Steel Grade - ASTM A1003
Coating (Galvanization) - ASTM A653