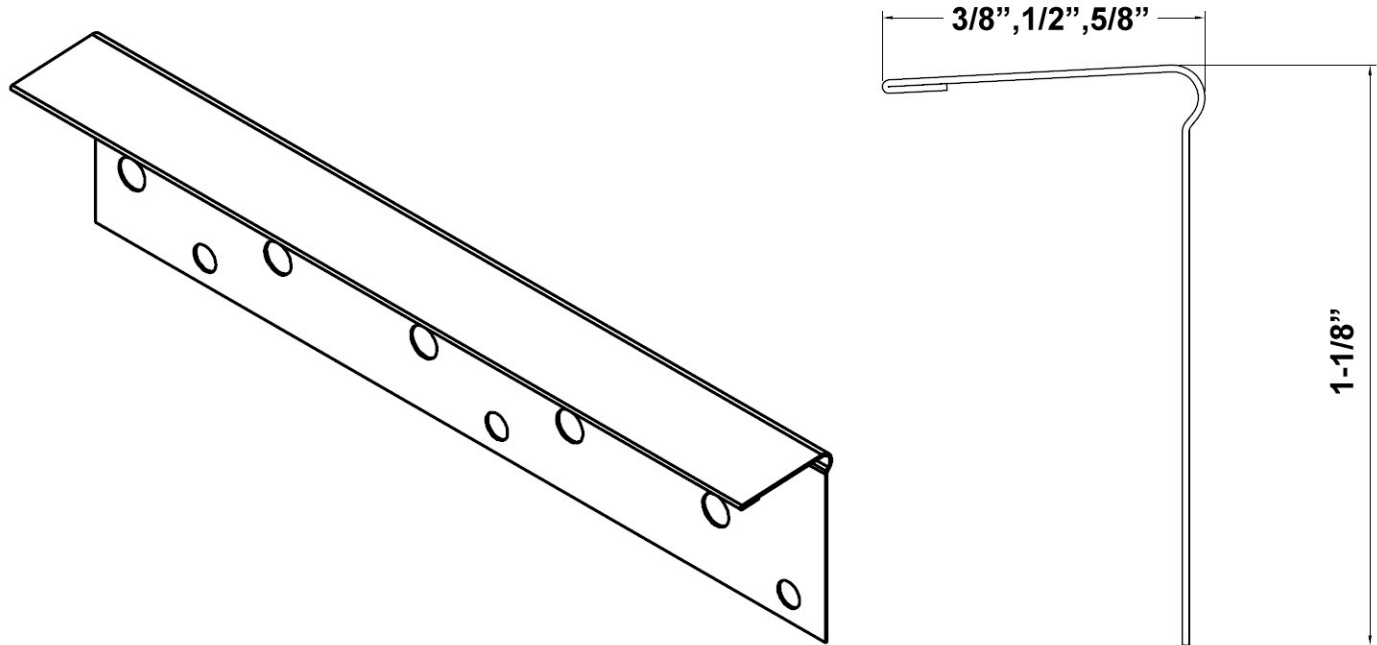


DATA SHEET

L Trim



Our metal L trims conform to Canadian steel standards. They are available in standard 10' lengths with 3/8", 1/2" or 5/8" finished side. L Trims serve to protect sides of gypsum panels around doors and windows when no moulding is installed.

Standards:

Standards applicables to steel stud systems, trim and accessories:

Steel Profile, thickness and dimensions - ASTM C645
 Steel Grade - ASTM A1003
 Coating (Galvanization) - ASTM A653

