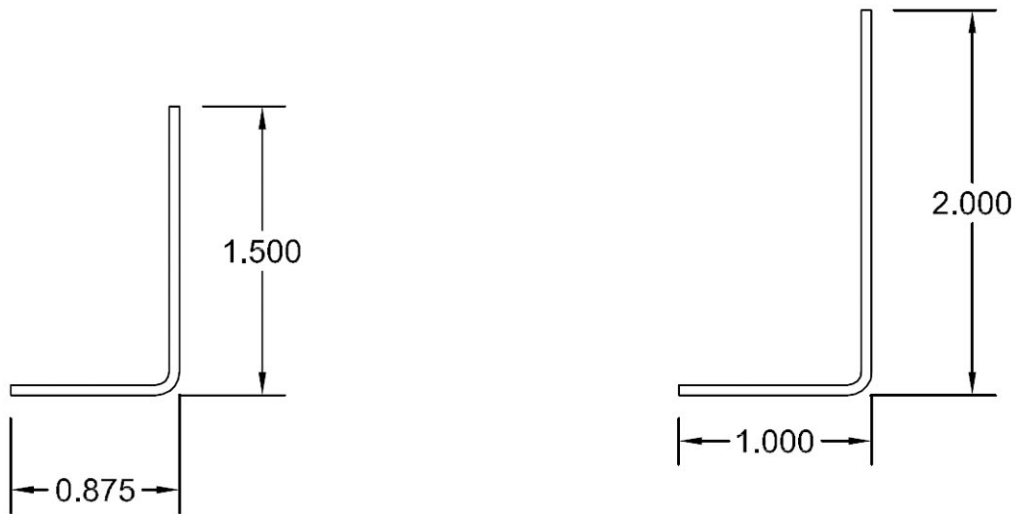


# DATA SHEET

## Metal Angle



<b>Standard thickness (mils):</b>	L.G., 33, 43, 54, 68
<b>Standard dimensions (in):</b>	7/8" x 1-1/2" , 1" x 2"

Our metal angles conform to Canadian steel standards. They are available in standard 10 foot lengths. They are available in the dimensions and thicknesses stated in the above table. You may also order dimensions, thicknesses and lengths that correspond to your project needs.

## Standards:

Standards applicables to steel stud systems, trim and accessories:

Steel Profile, thickness and dimensions - ASTM C645  
 Steel Grade - ASTM A1003  
 Coating (Galvanization) - ASTM A653

