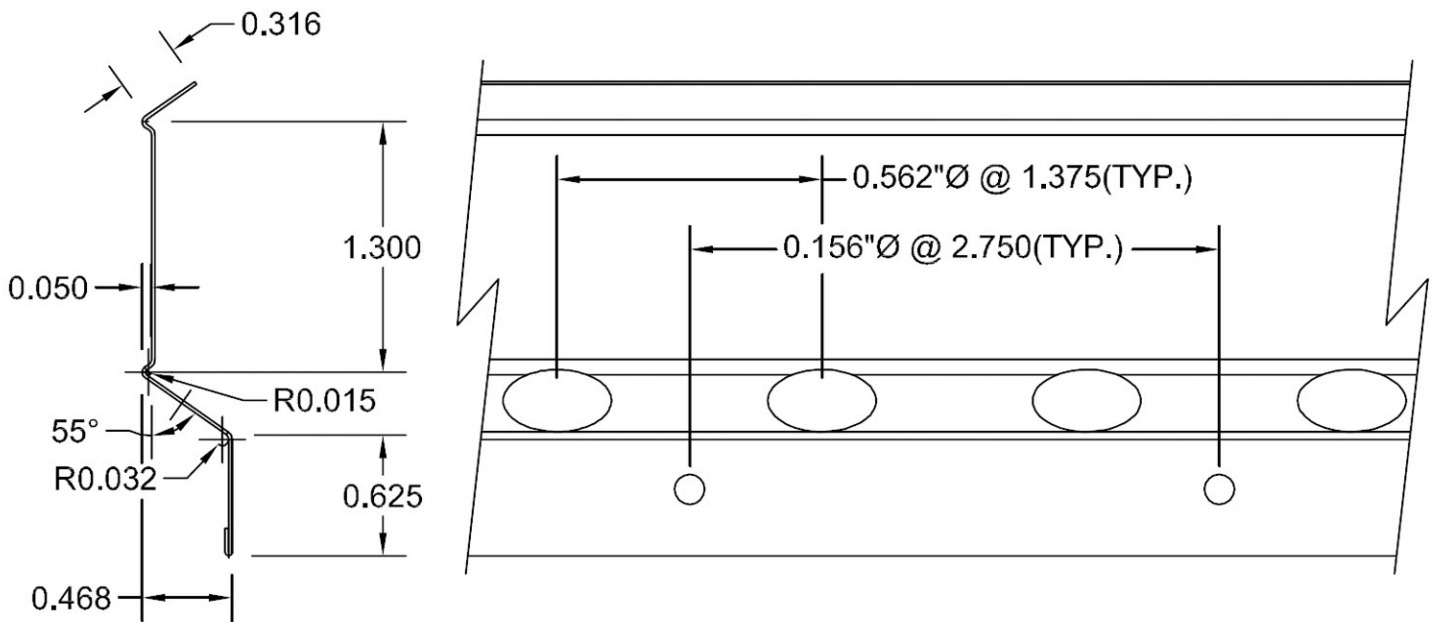


DATA SHEET

Resilient Bar RB1



Our metallic resilient bars conform to Canadian steel standards. They are available in standard 12 foot lengths. They are an economical means of reducing noise transmission for wood or metal structural or load bearing partitions.

Minimum coating for this product is G40.

Standards:

Standards applicables to steel stud systems, trim and accessories:

Steel Profile, thickness and dimensions - ASTM C645
 Steel Grade - ASTM A1003
 Coating (Galvanization) - ASTM A653

